

## THANK YOU!

You have successfully downloaded your **FREE** PlansNOW.com woodworking plan.

► [Go to Page 1](#) of this plan.

► [Got to PlansNOW](#) and save 20% with coupon code **J I G S**

### Tips for Trouble-Free Printing

► **Clear printer memory.** If you are unable to print this document, turn off your printer for at least 15 seconds and try again.

► **Get advanced printer help.** Visit [Adobe Support](#) for instructions in troubleshooting common printer problems. [www.adobe.com/support/techdocs/150d6.htm](http://www.adobe.com/support/techdocs/150d6.htm)

**SAVE 20%**

As a PlansNOW member, you'll SAVE 20% on every downloadable plan we offer!



#### [Playhouses & Sheds](#)

Everything you'll need for a kid's summer entertainment.



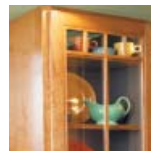
#### [Outdoor Furniture](#)

Easy-to-build projects using a minimum of power tools.



#### [Gazebos & Arbors](#)

Make outdoor living more enjoyable this summer!



#### [Home Improvement](#)

Save hundreds of dollars in remodeling when you DIY.



#### [Bedroom Furniture](#)

Beds, dressers, armoires, cribs, cradles, and more!



#### [Shop Jigs & Techniques](#)

Get the most from your tools with easy-to-build shop jigs.



#### [Craftsman Furniture](#)

Build the same distinctive features from the early 1900s.



#### [Workbenches & Tool Stands](#)

Sound woodworking starts with a solid workbench.

**20% OFF Coupon Code for MARCH 2006: JIGS**



**Need Hardware?** [Woodsmith Project Supplies 1-800-444-7527](#)

For plans that require unique or hard-to-find hardware and accessories, we may have a kit available for purchase.

**Contact Us.** Have a question about PlansNOW? We want to hear from you!

E-mail: ► [planman@augusthome.com](mailto:planman@augusthome.com) Phone: ► 1-800-333-5441 (Mon-Fri 8-5 Central time)



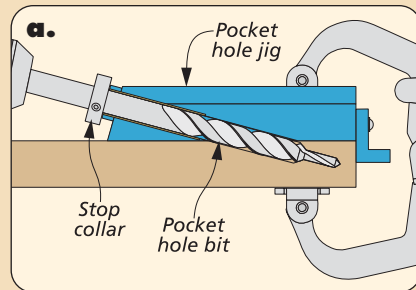
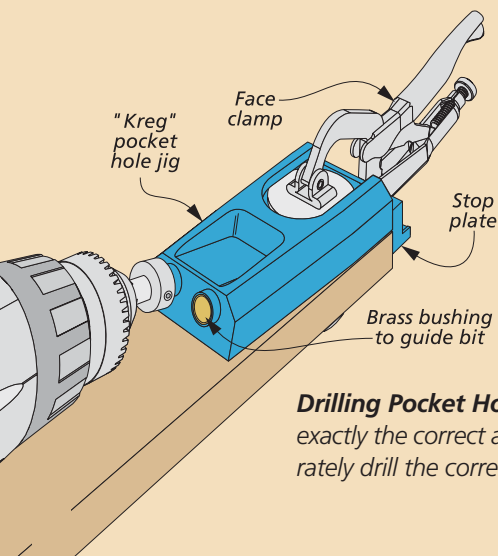
## putting Pocket Hole Joinery to work for you

**W**hen you think of pocket hole joinery you usually think of mass-produced kitchen cabinets and furniture. Fact is, pocket hole joinery is perfect for many of the smaller projects you'll build at home.

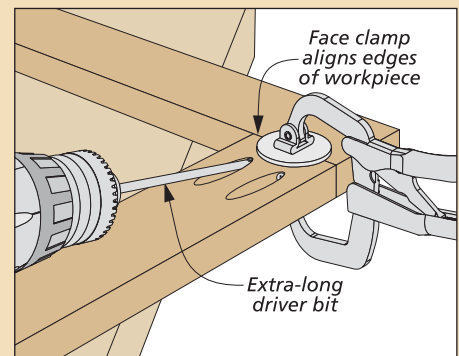
**CORNER JOINTS.** Pocket holes are great for joining aprons to table legs (see photo above). They're faster and easier

than cutting mortise and tenon joints, and with a little of reinforcement from a corner block, they're every bit as strong. The corner block takes only three pocket holes: one for each apron and one driven into the leg. Be sure to choose the right pocket screw for the job (see page 2) and then secure the apron to the leg.

## How-To: Pocket Hole Basics



**Drilling Pocket Holes.** The pocket hole jig guides the drill bit at exactly the correct angle. The stop collar can easily be set to accurately drill the correct depth hole in various thicknesses of wood.



**Inserting Pocket Hole Screws.** After the hole has been drilled, it's easy to drive the self-tapping pocket hole screws in place.

**MITER JOINTS.** Pocket hole joinery can come in handy when you need to pull a miter joint together. To hold a miter joint tight, drill a pair of pocket holes opposite and perpendicular to the joint line (see photo at right). A face clamp holds the joint flush while you drive in the screws.

**ATTACH A TABLE TOP.** You don't usually think of using pocket screws for attaching the top of a table. But it's as easy as drilling holes into the aprons (see photo below) and then driving screws into the table top. Using the jig and the correct screw size ensures that the screws don't come through the top of the table.

If you're concerned about wood movement, drill the pilot holes a little oversized in the edge. Then after driving the screw, back it out one quarter turn so it can move as temperature or humidity changes.

**SHELF BANDING.** Adding shelf banding to plywood with pocket holes is nice alternative to splines or biscuit joinery. Simply drill pocket holes along the edge of the top. Then drive in the pocket hole screws to fasten the shelf banding piece securely in place.



▲ **MITER JOINTS** Two pocket holes drilled in this small frame secure the miter joint. A face frame clamp makes it easy to hold the joint in position while the screws are inserted.

The right angle clamp shown in the photo helps out here. One arm fits into the pocket hole and the flat surface on the other arm holds the the edging in place so you can drive in the pocket screws.

Pocket hole joints are strong, and when the holes are hidden the joint looks great. **W**



▲ **TABLE TOP** Pocket holes are perfect for attaching table tops. Drill the pilot hole a bit oversized and back the screw out slightly to allow for wood movement.



▲ **SHELF BANDING** Pocket holes are a great way to secure edging to a shelf. A right-angle clamp holds the edging to the shelf while the screws are driven.

## Hardware: Choose the Best Pocket Screw



▲ **Thread Type.** Fine threads (top) are used for hardwood and course threads (bottom) are for softwoods.



▲ **Screw Length.** Choosing the right screw length depends on the thickness of the workpiece you are using.



▲ **Head Style.** Use washer head screws (top) for plywood and pine. Pan head screws (bottom) are for hardwoods.